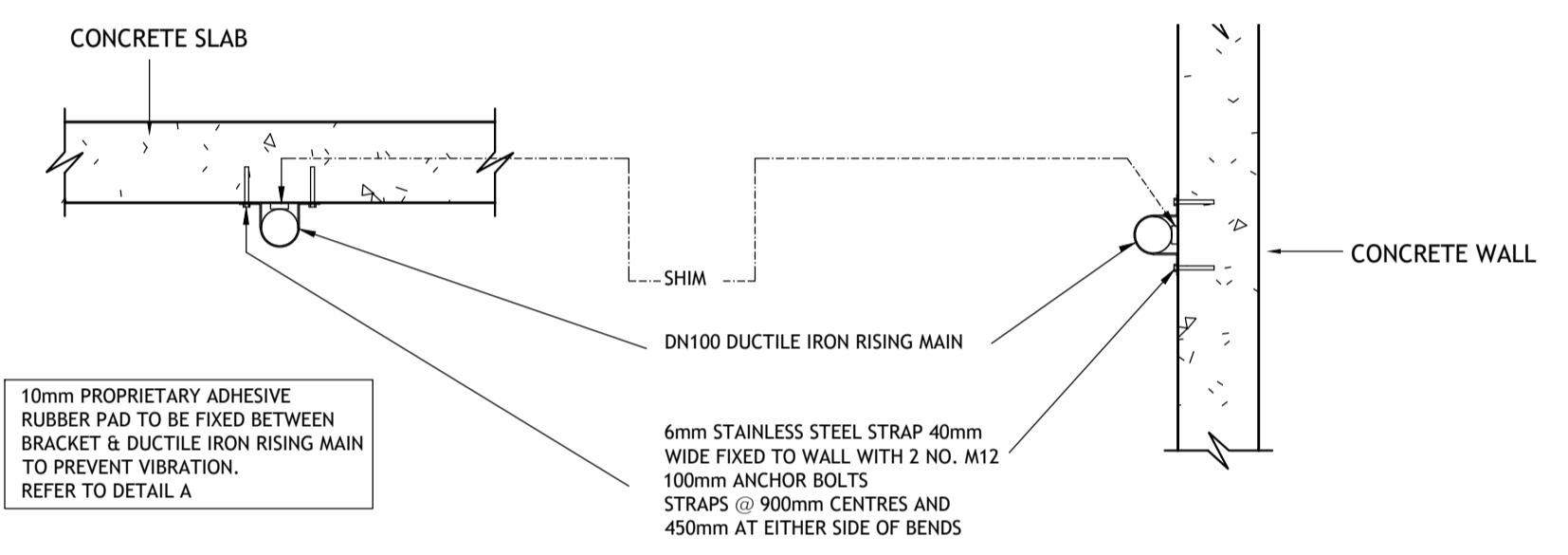
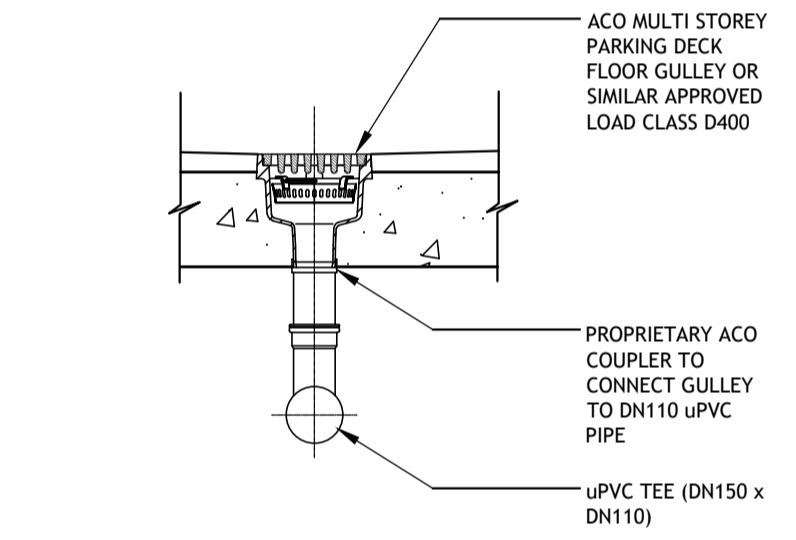
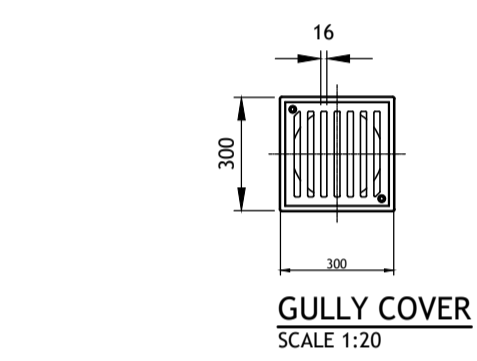
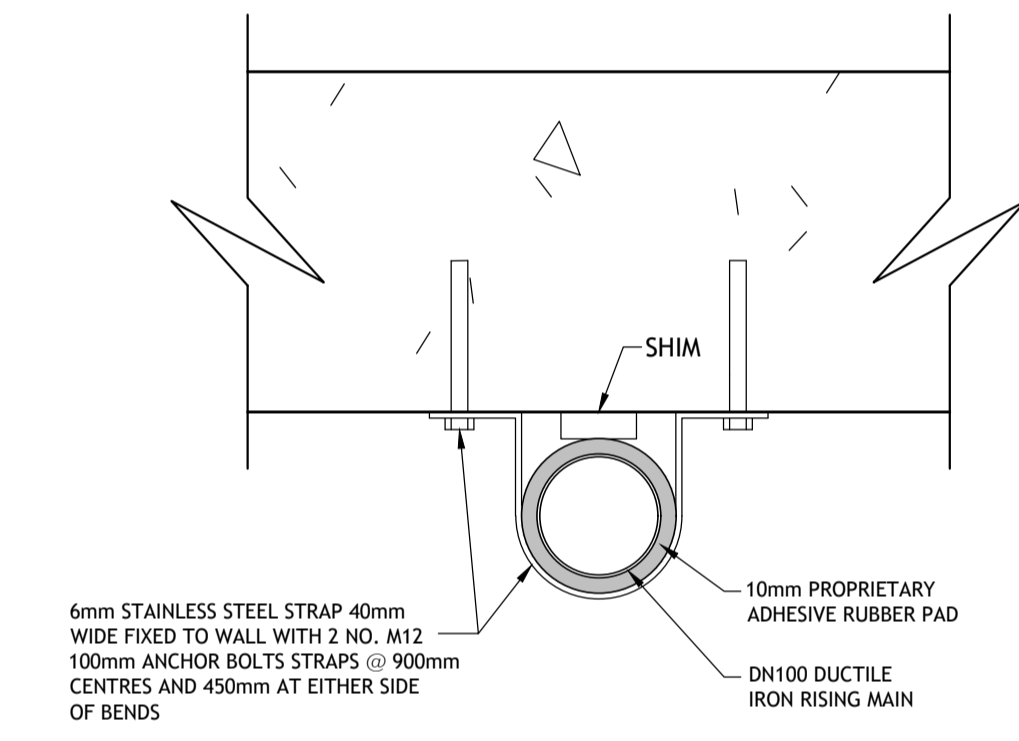


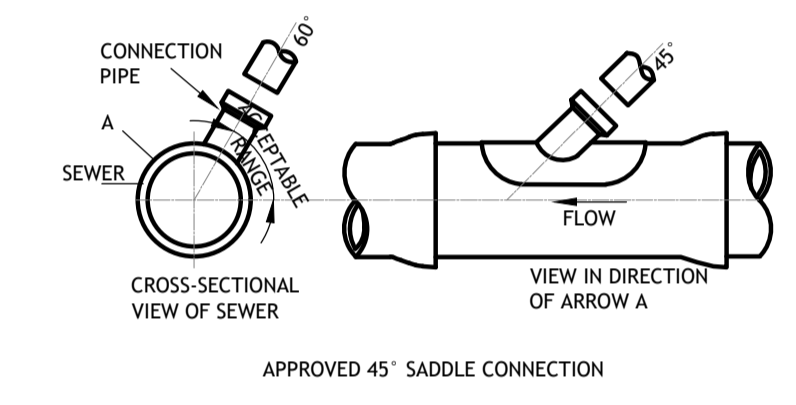
PUMPING STATION IN BASEMENT
SCALE 1:50



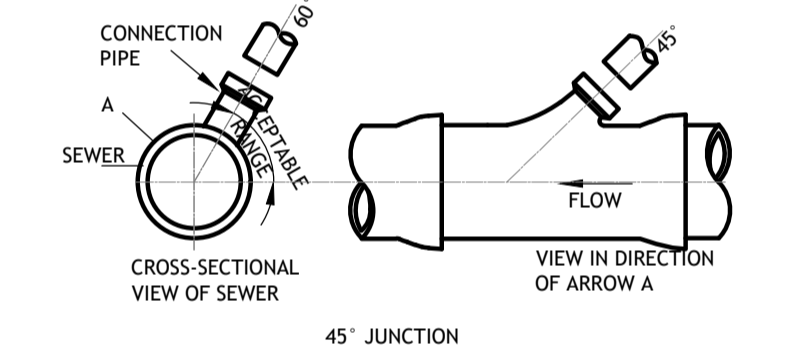
RISING MAIN FIXING DETAIL TO CONCRETE STRUCTURE
SCALE 1:20



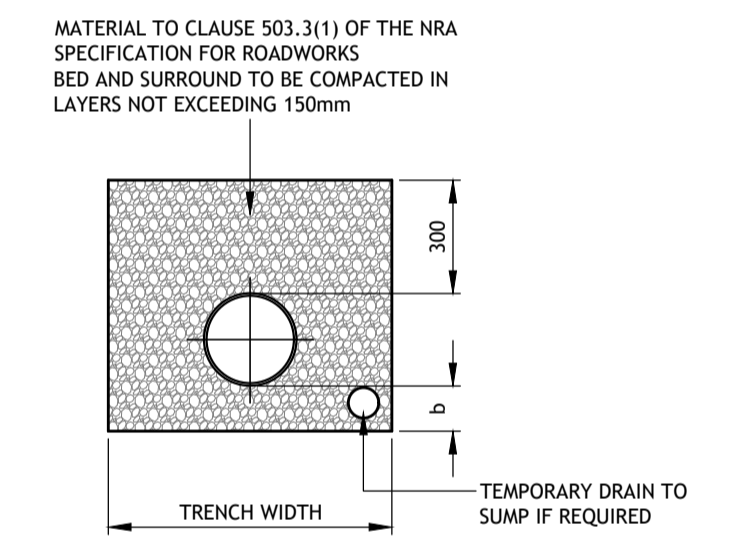
DETAIL A
SCALE 1:5



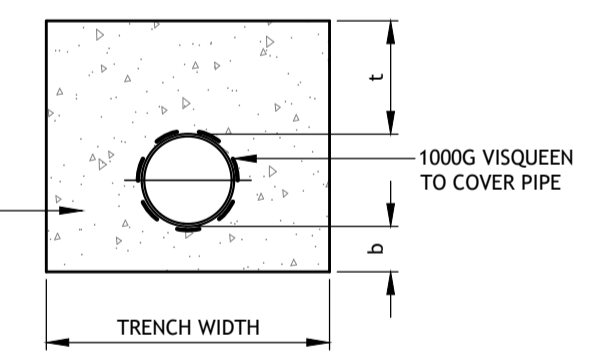
APPROVED 45° SADDLE CONNECTION



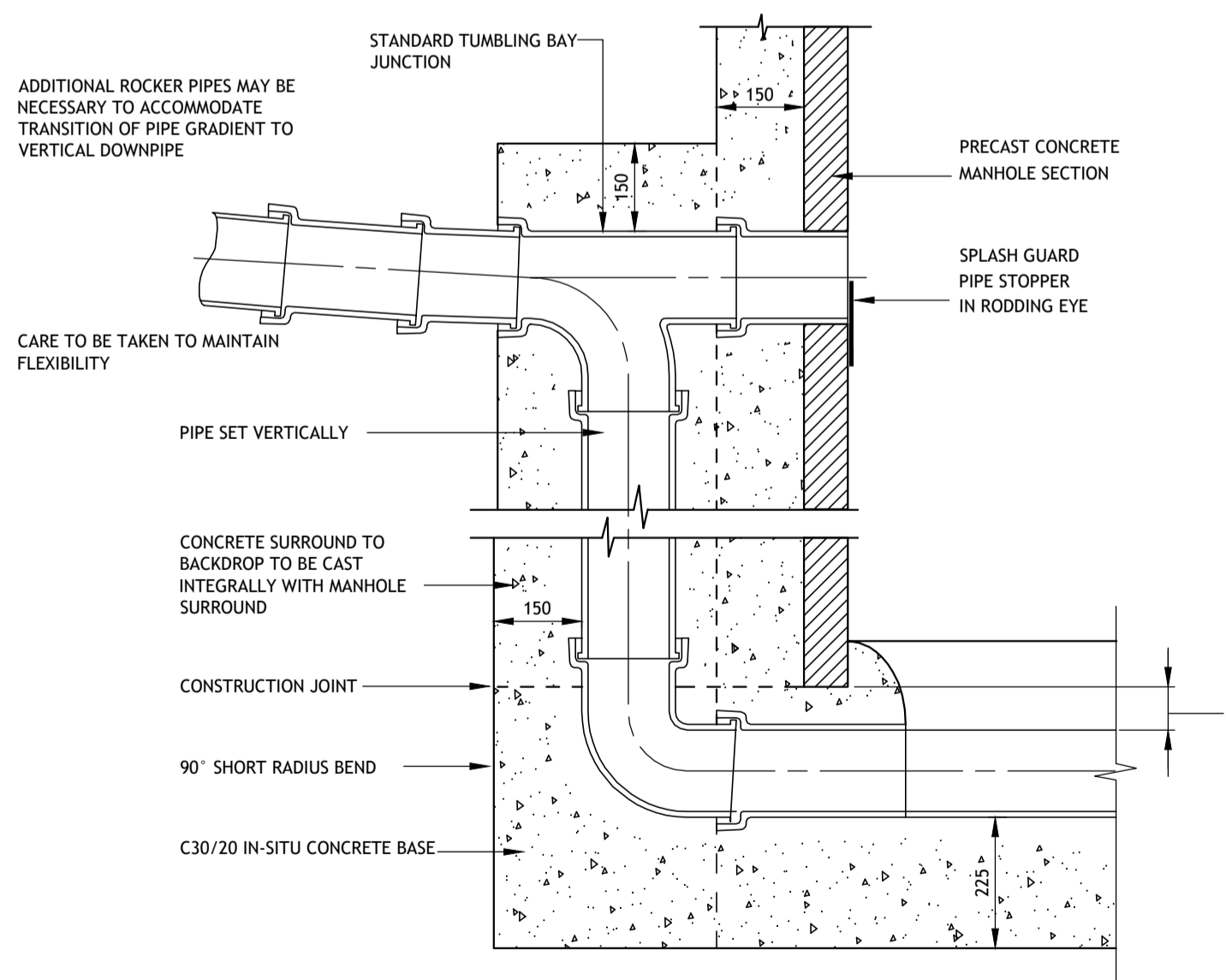
45° JUNCTION



CLASS S BEDDING (GRANULAR BED AND SURROUND)
SCALE 1:20

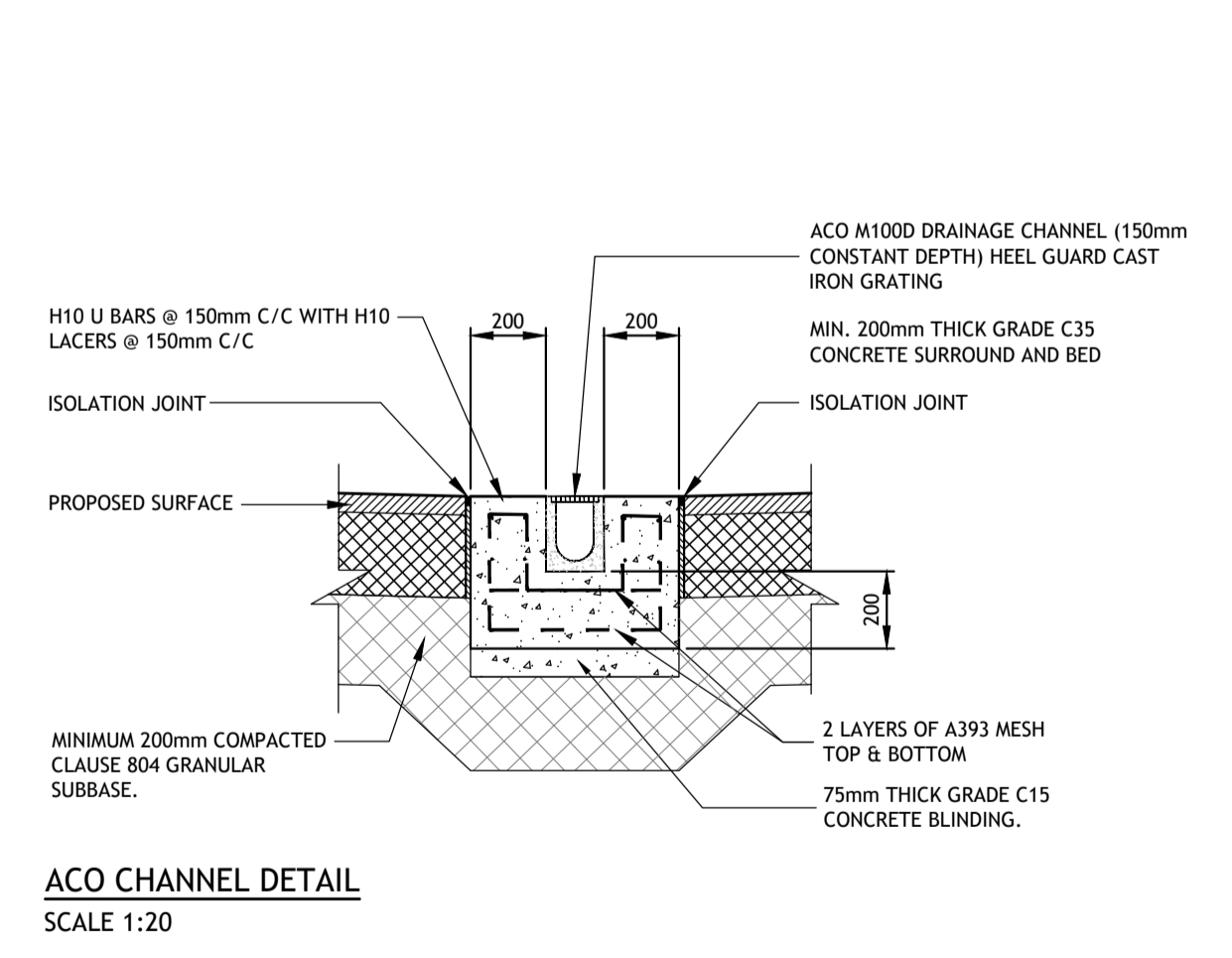


CLASS Z BEDDING (CONCRETE BED AND SURROUND)
SCALE 1:20

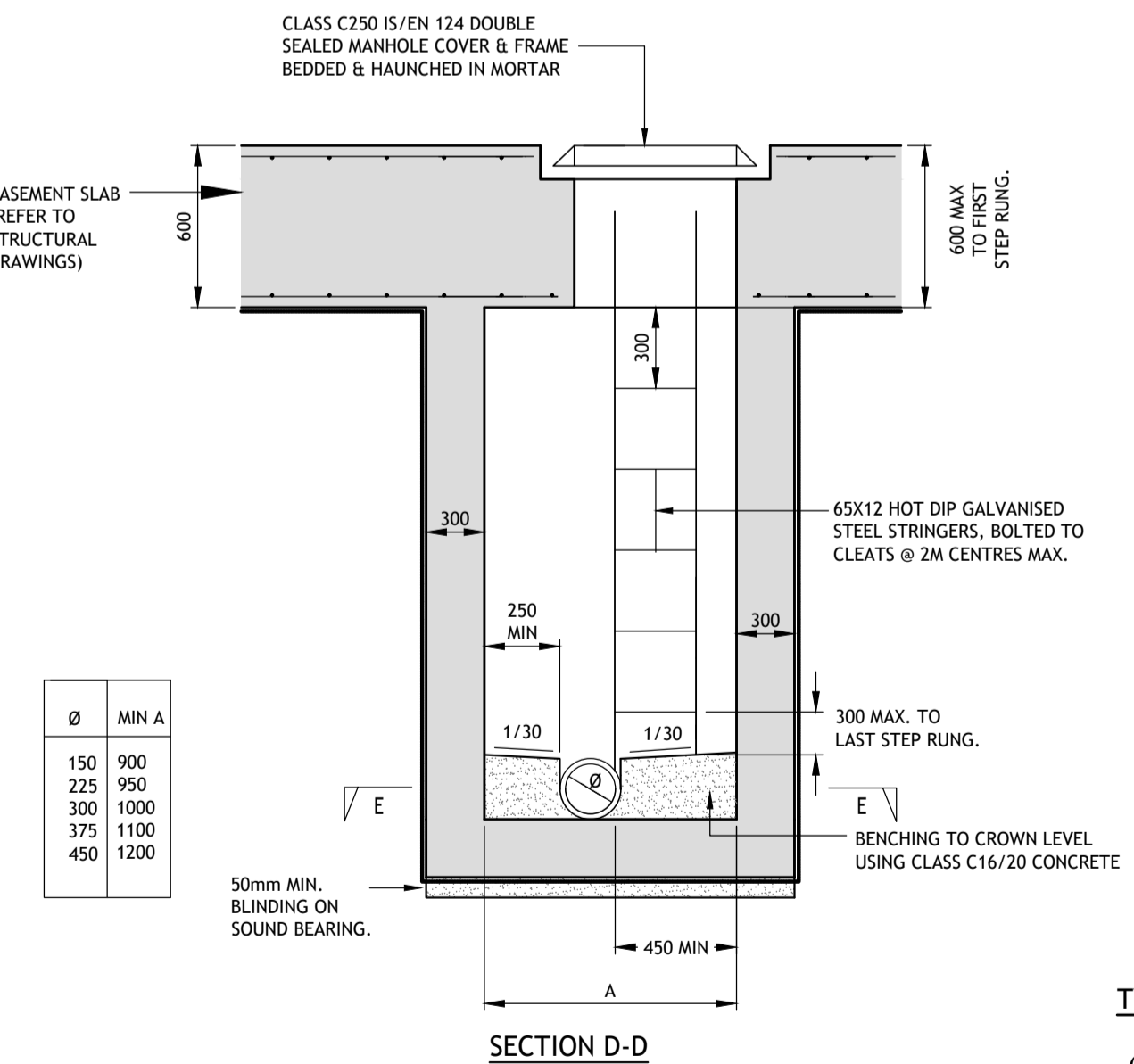


NOTE:
WHERE THE BACKDROP IS NOT EXCESSIVE A 45 DEGREE DROP PIPE MAY BE USED

TYPICAL VERTICAL BACKDROP DETAIL
NOT TO SCALE

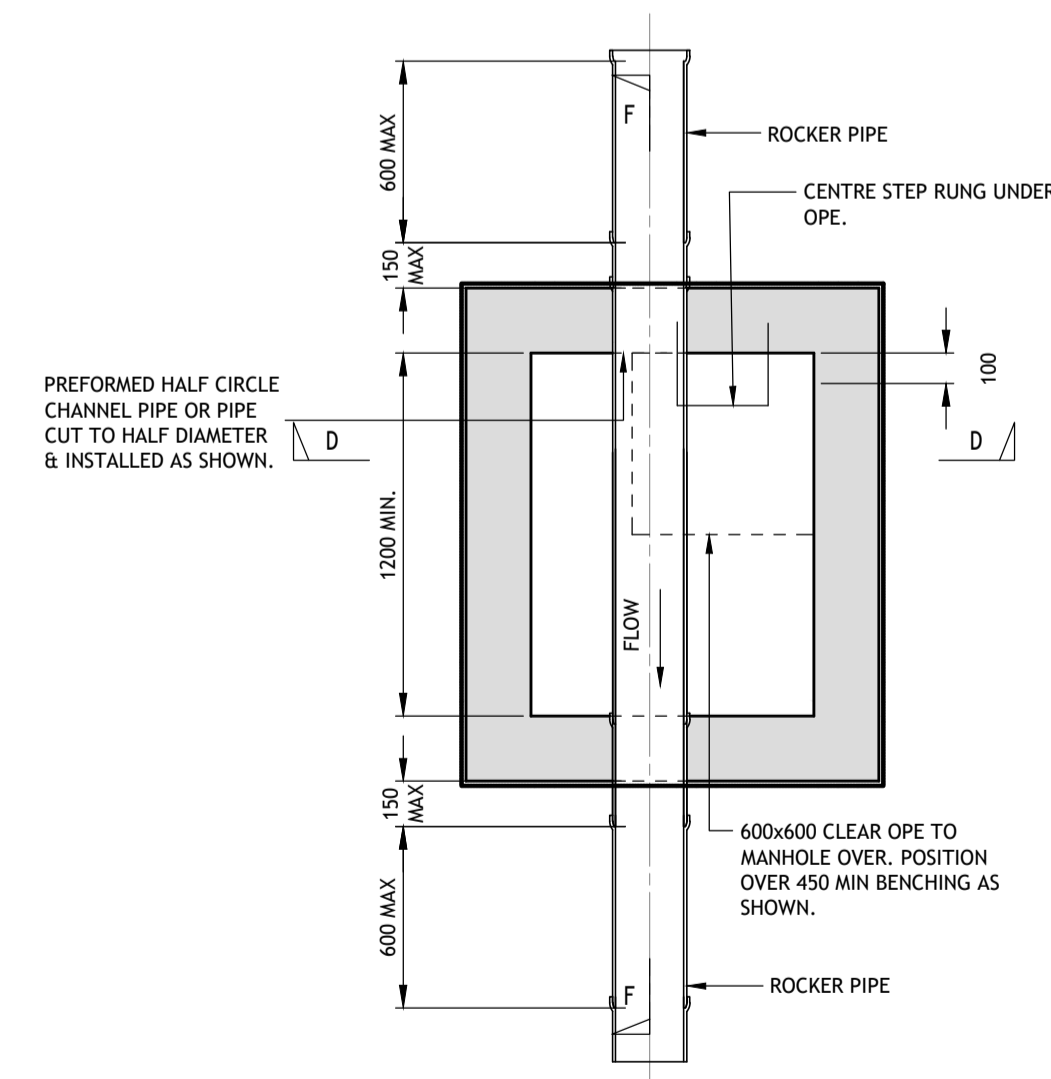


ACO CHANNEL DETAIL
SCALE 1:20



SECTION D-D

TYPICAL PRIVATE MANHOLE CHAMBERS DETAILS (INTERNAL TO BASEMENT)
1.0 < DEPTH TO I.L. <= 3.0
Ø's 150 TO 450 INCL
SCALE 1:25



SECTION E-E

PROPRIETARY PRODUCT NAMES, MANUFACTURER'S NAMES, SUPPLIER'S NAMES, NATIONAL STANDARDS

WHERE A SPECIFICATION OR A DESCRIPTION OF A PRODUCT OR ELEMENT OF WORK INCLUDES A SPECIFIC MAKE OR SOURCE SUCH AS A PRODUCT NAME OR MANUFACTURER'S NAME OR A SUPPLIER'S NAME, OR A NATIONAL STANDARD, THE SPECIFICATION OR DESCRIPTION SHALL BE DEEMED TO BE ACCOMPANIED BY THE WORDS "OR EQUIVALENT" NOTWITHSTANDING THAT THOSE EXACT WORDS MAY NOT IN FACT ACCOMPANY THE NAME OR STANDARD. THIS ALSO APPLIES WHERE THE NAME OR STANDARD IS ACCOMPANIED BY OTHER WORDS SUCH AS "OR EQUAL APPROVED" OR SUCH LIKE PHRASES.

Rev	Amendment	By	Date	Rev	Amendment	By	Date
C01	PLANNING ISSUE	IBS	16/03/2021				

Rev	Amendment	By	Date

Client: **MAXOL PROPERTY LTD**

Project: BEACH ROAD APARTMENT, SANDYMOUNT			
Title: DRAINAGE DETAILS			
Drawn: JB	Date drawn:	Technician Check: JB	Engineer Check: JH
Project No: 172387	Model Ref: 172387-PUNCH-XX-XX-M2-C-0500	Drawing Status: A0 PLANNING	Approved: PC
Scale: AS SHOWN	Docu No: 172387-PUNCH-XX-XX-DR-C-0500	Revision No: C01	